
**Hexagon head bolts — Product grades A
and B**

Vis à tête hexagonale partiellement filetées — Grades A et B



Reference number
ISO 4014:2011(E)

© ISO 2011

PDF disclaimer

This PDF file may contain embedded typefaces. In accordance with Adobe's licensing policy, this file may be printed or viewed but shall not be edited unless the typefaces which are embedded are licensed to and installed on the computer performing the editing. In downloading this file, parties accept therein the responsibility of not infringing Adobe's licensing policy. The ISO Central Secretariat accepts no liability in this area.

Adobe is a trademark of Adobe Systems Incorporated.

Details of the software products used to create this PDF file can be found in the General Info relative to the file; the PDF-creation parameters were optimized for printing. Every care has been taken to ensure that the file is suitable for use by ISO member bodies. In the unlikely event that a problem relating to it is found, please inform the Central Secretariat at the address given below.



COPYRIGHT PROTECTED DOCUMENT

© ISO 2011

All rights reserved. Unless otherwise specified, no part of this publication may be reproduced or utilized in any form or by any means, electronic or mechanical, including photocopying and microfilm, without permission in writing from either ISO at the address below or ISO's member body in the country of the requester.

ISO copyright office
Case postale 56 • CH-1211 Geneva 20
Tel. + 41 22 749 01 11
Fax + 41 22 749 09 47
E-mail copyright@iso.org
Web www.iso.org

Published in Switzerland

Foreword

ISO (the International Organization for Standardization) is a worldwide federation of national standards bodies (ISO member bodies). The work of preparing International Standards is normally carried out through ISO technical committees. Each member body interested in a subject for which a technical committee has been established has the right to be represented on that committee. International organizations, governmental and non-governmental, in liaison with ISO, also take part in the work. ISO collaborates closely with the International Electrotechnical Commission (IEC) on all matters of electrotechnical standardization.

International Standards are drafted in accordance with the rules given in the ISO/IEC Directives, Part 2.

The main task of technical committees is to prepare International Standards. Draft International Standards adopted by the technical committees are circulated to the member bodies for voting. Publication as an International Standard requires approval by at least 75 % of the member bodies casting a vote.

Attention is drawn to the possibility that some of the elements of this document may be the subject of patent rights. ISO shall not be held responsible for identifying any or all such patent rights.

ISO 4014 was prepared by Technical Committee ISO/TC 2, *Fasteners*, Subcommittee SC 10, *Product standards for fasteners*.

This fourth edition cancels and replaces the third edition (ISO 4014:1999), of which it constitutes a minor revision.

Introduction

This International Standard belongs to a complete group of product standards developed by ISO on external hexagon drive fasteners. It comprises the following:

- a) hexagon head bolts (ISO 4014, ISO 4015, ISO 4016 and ISO 8765);
- b) hexagon head screws (ISO 4017, ISO 4018 and ISO 8676);
- c) hexagon nuts (ISO 4032, ISO 4033, ISO 4034, ISO 4035, ISO 4036, ISO 7040, ISO 7041, ISO 7042, ISO 7719, ISO 7720, ISO 8673, ISO 8674, ISO 8675, ISO 10511, ISO 10512 and ISO 10513);
- d) hexagon bolts with flange (ISO 4162, ISO 15071 and ISO 15072);
- e) hexagon nuts with flange (ISO 4161, ISO 7043, ISO 7044, ISO 10663, ISO 12125, ISO 12126 and ISO 21670).

Hexagon head bolts — Product grades A and B

1 Scope

This International Standard specifies the characteristics of hexagon head bolts with threads from M1,6 up to and including M64, of product grade A for threads M1,6 to M24 and nominal lengths up to and including $10d$ or 150 mm, whichever is the shorter, and product grade B for threads over M24 or nominal lengths over $10d$ or 150 mm, whichever is the shorter.

If, in special cases, specifications other than those listed in this International Standard are required, they can be selected from existing International Standards, for example ISO 724, ISO 888, ISO 898-1, ISO 965-1, ISO 3506-1, ISO 4753 and ISO 4759-1.

2 Normative references

The following referenced documents are indispensable for the application of this document. For dated references, only the edition cited applies. For undated references, the latest edition of the referenced document (including any amendments) applies.

ISO 225, *Fasteners — Bolts, screws, studs and nuts — Symbols and descriptions of dimensions*

ISO 724, *ISO general-purpose metric screw threads — Basic dimensions*

ISO 898-1, *Mechanical properties of fasteners made of carbon steel and alloy steel — Part 1: Bolts, screws and studs with specified property classes — Coarse thread and fine pitch thread*

ISO 965-1, *ISO general-purpose metric screw threads — Tolerances — Part 1: Principles and basic data*

ISO 3269, *Fasteners — Acceptance inspection*

ISO 3506-1, *Mechanical properties of corrosion-resistant stainless steel fasteners — Part 1: Bolts, screws and studs*

ISO 4017, *Hexagon head screws — Product grades A and B*

ISO 4042, *Fasteners — Electroplated coatings*

ISO 4753, *Fasteners — Ends of parts with external ISO metric thread*

ISO 4759-1, *Tolerances for fasteners — Part 1: Bolts, screws, studs and nuts — Product grades A, B and C*

ISO 6157-1, *Fasteners — Surface discontinuities — Part 1: Bolts, screws and studs for general requirements*

ISO 8839, *Mechanical properties of fasteners — Bolts, screws, studs and nuts made of non-ferrous metals*

ISO 8992, *Fasteners — General requirements for bolts, screws, studs and nuts*

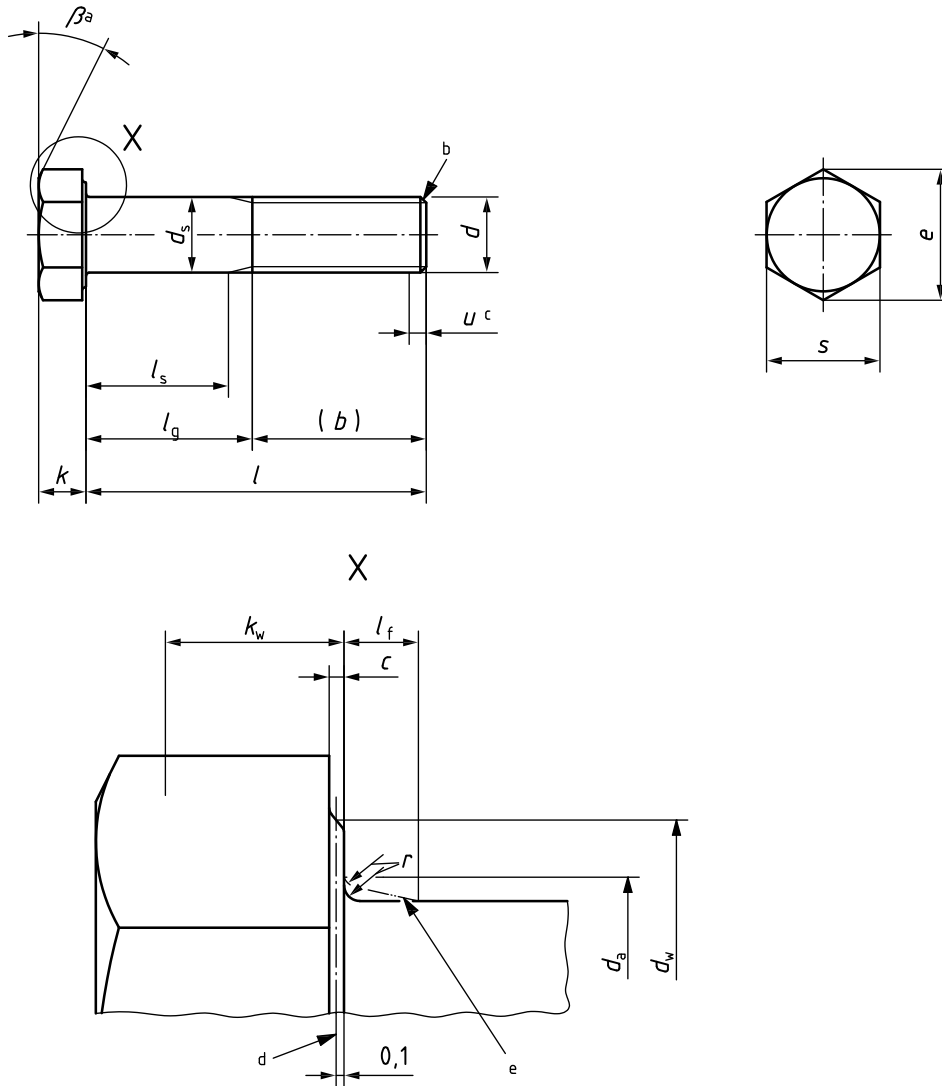
ISO 10683, *Fasteners — Non-electrolytically applied zinc flake coatings*

3 Dimensions

See Figure 1 and Tables 1 and 2.

Symbols and descriptions of dimensions are specified in ISO 225.

Dimensions in millimetres



- a $\beta = 15^\circ$ to 30° .
- b Point shall be chamfered or for threads $\leq M4$ may be as-rolled (sheared end) in accordance with ISO 4753.
- c Incomplete thread $u \leq 2P$.
- d Reference datum for d_w .
- e Maximum underhead fillet.

Figure 1

Table 1 — Preferred threads

Dimensions in millimetres

Thread, <i>d</i>	M1,6	M2	M2,5	M3	M4	M5	M6	M8	M10
<i>p</i> ^a	0,35	0,4	0,45	0,5	0,7	0,8	1	1,25	1,5
<i>b</i>	9	10	11	12	14	16	18	22	26
<i>c</i>	15	16	17	18	20	22	24	28	32
<i>d</i>	28	29	30	31	33	35	37	41	45
<i>c</i>	max. 0,25	0,25	0,25	0,40	0,40	0,50	0,50	0,60	0,60
<i>d</i>	min. 0,10	0,10	0,10	0,15	0,15	0,15	0,15	0,15	0,15
<i>d_a</i>	max. 2	2,6	3,1	3,6	4,7	5,7	6,8	9,2	11,2
<i>d_s</i>	nom. = max. 1,60	2,00	2,50	3,00	4,00	5,00	6,00	8,00	10,00
<i>d_s</i>	Product grade A	1,86	2,36	2,86	3,82	4,82	5,82	7,78	9,78
<i>d_s</i>	Product grade B	1,75	2,25	2,75	3,70	4,70	5,70	7,64	9,64
<i>d_w</i>	Product grade A	3,07	4,07	4,57	5,88	6,88	8,88	11,63	14,63
<i>d_w</i>	Product grade B	2,95	3,95	4,45	5,74	6,74	8,74	11,47	14,47
<i>e</i>	Product grade A	4,32	5,45	6,01	7,66	8,79	11,05	14,38	17,77
<i>e</i>	Product grade B	4,18	5,31	5,88	7,50	8,63	10,89	14,20	17,59
<i>f_t</i>	max. 0,6	0,8	1	1	1,2	1,2	1,4	2	2
<i>f_t</i>	nom. 1,1	1,4	1,7	2	2,8	3,5	4	5,3	6,4
<i>k</i>	Product grade A	1,225	1,825	2,125	2,925	3,65	4,15	5,45	6,58
<i>k</i>	Product grade B	0,975	1,275	1,875	2,675	3,35	3,85	5,15	6,22
<i>k</i>	Product grade A	1,3	1,6	1,9	3,0	3,74	4,24	5,54	6,69
<i>k</i>	Product grade B	0,9	1,2	1,5	2,6	3,26	3,76	5,06	6,11
<i>k_w</i> ^e	Product grade A	0,68	0,89	1,10	1,87	2,35	2,70	3,61	4,35
<i>k_w</i> ^e	Product grade B	0,63	0,84	1,05	1,82	2,28	2,63	3,54	4,28
<i>r</i>	min. 0,1	0,1	0,1	0,1	0,2	0,2	0,25	0,4	0,4
<i>r</i>	nom. = max. 3,20	4,00	5,00	5,50	7,00	8,00	10,00	13,00	16,00
<i>s</i>	Product grade A	3,02	3,82	4,82	5,32	7,78	9,78	12,73	15,73
<i>s</i>	Product grade B	2,90	3,70	4,70	5,20	7,64	9,64	12,57	15,57

Table 1 (continued)

Thread, <i>d</i>	Product grade										Dimensions in millimetres									
	A					B					M1,6	M2	M2,5	M3	M4	M5	M6	M8	M10	
	nom.	min.	max.	min.	max.	nom.	min.	max.	min.	max.										
						<i>l_s</i> min.	<i>l_s</i> max.	<i>l_g</i> max.	<i>l_s</i> min.	<i>l_s</i> max.	<i>l_g</i> max.	<i>l_s</i> min.	<i>l_s</i> max.	<i>l_g</i> max.	<i>l_s</i> min.	<i>l_s</i> max.	<i>l_g</i> max.	<i>l_s</i> min.	<i>l_s</i> max.	
12	11,65	12,35	—	—	—	1,2	3	—	—	—	—	—	—	—	—	—	—	—	—	
16	15,65	16,35	—	—	—	5,2	7	6	2,75	5	—	—	—	—	—	—	—	—	—	
20	19,58	20,42	18,95	21,05	—	—	—	10	6,75	9	5,5	8	—	—	—	—	—	—	—	
25	24,58	25,42	23,95	26,05	—	—	—	—	11,75	14	10,5	13	7,5	11	5	9	—	—	—	
30	29,58	30,42	28,95	31,05	—	—	—	—	—	—	15,5	18	12,5	16	10	14	7	12	—	
35	34,5	35,5	33,75	36,25	—	—	—	—	—	—	—	—	17,5	21	15	19	12	17	—	
40	39,5	40,5	38,75	41,25	—	—	—	—	—	—	—	—	22,5	26	20	24	17	22	11,75	
45	44,5	45,5	43,75	46,25	—	—	—	—	—	—	—	—	—	—	25	29	22	27	16,75	
50	49,5	50,5	48,75	51,25	—	—	—	—	—	—	—	—	—	—	30	34	27	32	21,75	
55	54,4	55,6	53,5	56,5	—	—	—	—	—	—	—	—	—	—	—	—	32	37	26,75	
60	59,4	60,6	58,5	61,5	—	—	—	—	—	—	—	—	—	—	—	—	37	42	31,75	
65	64,4	65,6	63,5	66,5	—	—	—	—	—	—	—	—	—	—	—	—	—	—	36,75	
70	69,4	70,6	68,5	71,5	—	—	—	—	—	—	—	—	—	—	—	—	—	—	41,75	
80	79,4	80,6	78,5	81,5	—	—	—	—	—	—	—	—	—	—	—	—	—	—	51,75	
90	89,3	90,7	88,25	91,75	—	—	—	—	—	—	—	—	—	—	—	—	—	—	—	
100	99,3	100,7	98,25	101,75	—	—	—	—	—	—	—	—	—	—	—	—	—	—	—	
110	109,3	110,7	108,25	111,75	—	—	—	—	—	—	—	—	—	—	—	—	—	—	—	
120	119,3	120,7	118,25	121,75	—	—	—	—	—	—	—	—	—	—	—	—	—	—	—	

For sizes above the solid, bold, stepped line, ISO 4017 is recommended.

Table 1 (continued)

Dimensions in millimetres

Thread, <i>d</i>	M12	M16	M20	M24	M30	M36	M42	M48	M56	M64
<i>p</i> ^a	1,75	2	2,5	3	3,5	4	4,5	5	5,5	6
<i>b</i>	30	38	46	54	66	—	—	—	—	—
<i>b</i> ref.	36	44	52	60	72	84	96	108	—	—
<i>d</i>	49	57	65	73	85	97	109	121	137	153
<i>c</i>	0,60	0,8	0,8	0,8	0,8	0,8	1,0	1,0	1,0	1,0
<i>c</i>	0,15	0,2	0,2	0,2	0,2	0,2	0,3	0,3	0,3	0,3
<i>d</i> _a	13,7	17,7	22,4	26,4	33,4	39,4	45,6	52,6	63	71
<i>d</i> _s	12,00	16,00	20,00	24,00	30,00	36,00	42,00	48,00	56,00	64,00
Product grade	A	15,73	19,67	23,67	—	—	—	—	—	—
	B	11,57	15,57	19,48	23,48	29,48	41,38	47,38	55,26	63,26
<i>d</i> _w	A	16,63	22,49	28,19	33,61	—	—	—	—	—
	B	16,47	22	27,7	33,25	42,75	59,95	69,45	78,66	88,16
<i>e</i>	A	20,03	26,75	33,53	39,98	—	—	—	—	—
	B	19,85	26,17	32,95	39,55	50,85	71,3	82,6	93,56	104,86
<i>l</i> _f	max.	3	3	4	4	6	8	10	12	13
	nom.	7,5	10	12,5	15	18,7	26	30	35	40
<i>k</i>	max.	7,68	10,18	12,715	15,215	—	—	—	—	—
	min.	7,32	9,82	12,285	14,785	—	—	—	—	—
<i>k</i>	max.	7,79	10,29	12,85	15,35	19,12	26,42	30,42	35,5	40,5
	min.	7,21	9,71	12,15	14,65	18,28	25,58	29,58	34,5	39,5
<i>k</i> _w ^e	A	5,12	6,87	8,6	10,35	—	—	—	—	—
	B	5,05	6,8	8,51	10,26	12,8	17,91	20,71	24,15	27,65
<i>r</i>	0,6	0,6	0,8	0,8	1	1	1,2	1,6	2	2
<i>s</i>	nom. = max.	18,00	24,00	30,00	36,00	46	65,0	75,0	85,0	95,0
	A	17,73	23,67	29,67	35,38	—	—	—	—	—
B	17,57	23,16	29,16	35,00	45	53,8	63,1	73,1	82,8	92,8

Table 1 (continued)

Dimensions in millimetres

Thread, <i>d</i>	Product grade										<i>l_s</i> and <i>l_g[†]</i>																																																	
	A					B					M12					M16					M20					M24					M30					M36					M42					M48					M56					M64				
	nom.	min.	max.	min.	max.	min.	max.	min.	max.	min.	max.	<i>l_s</i> min.	<i>l_g</i> max.	<i>l_s</i> min.	<i>l_g</i> max.	<i>l_s</i> min.	<i>l_g</i> max.	<i>l_s</i> min.	<i>l_g</i> max.	<i>l_s</i> min.	<i>l_g</i> max.	<i>l_s</i> min.	<i>l_g</i> max.	<i>l_s</i> min.	<i>l_g</i> max.	<i>l_s</i> min.	<i>l_g</i> max.	<i>l_s</i> min.	<i>l_g</i> max.	<i>l_s</i> min.	<i>l_g</i> max.	<i>l_s</i> min.	<i>l_g</i> max.	<i>l_s</i> min.	<i>l_g</i> max.																									
50	49,5	50,5	—	—	—	11,25	20																																																					
55	54,4	55,6	53,5	56,5	—	16,25	25																																																					
60	59,4	60,6	58,5	61,5	—	21,25	30																																																					
65	64,4	65,6	63,5	66,5	27	26,25	35	17	27																																																			
70	69,4	70,6	68,5	71,5	32	31,25	40	22	32																																																			
80	79,4	80,6	78,5	81,5	42	41,25	50	32	42	34	21,5	34	41	56	26,5	44																																												
90	89,3	90,7	88,25	91,75	52	51,25	60	42	52	44	31,5	44	51	66	36,5	54																																												
100	99,3	100,7	98,25	101,75	62	61,25	70	52	62	46	41,5	54	55	70	40,5	58																																												
110	109,3	110,7	108,25	111,75	72	71,25	80	62	72	56	51,5	64	65	88	50,5	68																																												
120	119,3	120,7	118,25	121,75	82	81,25	90	72	82	74	61,5	74	75	98	60,5	78																																												
130	129,2	130,8	128	132	92	91,25	100	82	92	76	65,5	78	85	108	70,5	88																																												
140	139,2	140,8	138	142	102	101,25	110	92	102	80	75,5	88	85	116	80,5	98																																												
150	149,2	150,8	148	152	112	111,25	120	102	112	90	85,5	98	85	124	90,5	108																																												
160	—	—	158	162	122	121,25	130	112	122	100	95,5	108	85	132	100,5	118																																												
180	—	—	178	182	142	141,25	150	132	142	115,5	128	148	105	152	115,5	132																																												
200	—	—	197,7	202,3	152	151,25	160	142	152	135,5	148	162	125	162	135,5	152																																												
220	—	—	217,7	222,3	162	161,25	170	152	162	147	152	167	132	172	147	162																																												
240	—	—	237,7	242,3	172	171,25	180	162	172	167	152	167	152	172	152	167																																												
260	—	—	257,4	262,6	182	181,25	190	172	182	167	152	167	152	172	152	167																																												
280	—	—	277,4	282,6	192	191,25	200	182	192	167	152	167	152	172	152	167																																												
300	—	—	297,4	302,6	202	201,25	210	192	202	167	152	167	152	172	152	167																																												
320	—	—	317,15	322,85	212	211,25	220	202	212	167	152	167	152	172	152	167																																												
340	—	—	337,15	342,85	222	221,25	230	212	222	167	152	167	152	172	152	167																																												

Table 1 (continued)

Dimensions in millimetres

Thread, <i>d</i>	Product grade												M12		M16		M20		M24		M30		M36		M42		M48		M56		M64	
	A						B																									
	nom.	min.	max.	min.	max.	<i>l</i>	<i>l_s</i> min.	<i>l_s</i> max.	<i>l_g</i> min.	<i>l_g</i> max.	<i>l_s</i> min.	<i>l_s</i> max.	<i>l_g</i> min.	<i>l_g</i> max.	<i>l_s</i> min.	<i>l_s</i> max.	<i>l_g</i> min.	<i>l_g</i> max.	<i>l_s</i> min.	<i>l_s</i> max.	<i>l_g</i> min.	<i>l_g</i> max.	<i>l_s</i> min.	<i>l_s</i> max.	<i>l_g</i> min.	<i>l_g</i> max.	<i>l_s</i> min.	<i>l_s</i> max.				
360	—	—	357,15	362,85	—																											
380	—	—	377,15	382,85	—																											
400	—	—	397,15	402,85	—																											
420	—	—	416,85	423,15	—																											
440	—	—	436,85	443,15	—																											
460	—	—	456,85	463,15	—																											
480	—	—	476,85	483,15	—																											
500	—	—	496,85	503,15	—																											

l_s and *l_g*

NOTE Preferred lengths are defined in terms of *l_s* and *l_g*:

- for product grade A, above the discontinuous, stepped line;
- for product grade B, below this stepped line.

a *P* is the pitch of the thread.

b For *l_{nom}* ≤ 125 mm.

c For 125 mm < *l_{nom}* ≤ 200 mm.

d For *l_{nom}* > 200 mm.

e *k_{w,min}* = 0,7 *k_{r,min}*.

f *l_{g,max}* = *l_{nom}* - *b*.

l_{g,min} = *l_{g,max}* - 5 *P*.

Table 2 — Non-preferred threads

Dimensions in millimetres

Thread, <i>d</i>		M3,5	M14	M18	M22	M27								
<i>p</i> ^a		0,6	2	2,5	2,5	3								
<i>b</i> ref.	<i>b</i>	13	34	42	50	60								
	<i>c</i>	19	40	48	56	66								
	<i>d</i>	32	53	61	69	79								
<i>c</i>	max.	0,40	0,60	0,8	0,8	0,8								
	min.	0,15	0,15	0,2	0,2	0,2								
<i>d</i> _a		max.	4,1	15,7	20,2	24,4	30,4							
<i>d</i> _s	nom. = max.	3,50	14,00	18,00	22,0	27,00								
	Product grade A min.		3,32	13,73	17,73	21,67	—							
			3,20	13,57	17,57	21,48	26,48							
<i>d</i> _w	Product grade min.	A	5,07	19,64	25,34	31,71	—							
		B	4,95	19,15	24,85	31,35	38							
<i>e</i>	Product grade min.	A	6,58	23,36	30,14	37,72	—							
		B	6,44	22,78	29,56	37,29	45,2							
<i>l</i> _f		max.	1	3	3	4	6							
<i>k</i>	nom.	2,4	8,8	11,5	14	17								
	Product grade A	max.	2,525	8,98	11,715	14,215	—							
		min.	2,275	8,62	11,285	13,785	—							
	Product grade B	max.	2,6	9,09	11,85	14,35	17,35							
min.		2,2	8,51	11,15	13,65	13,65								
<i>k</i> _w ^e	Product grade min.	A	1,59	6,03	7,9	9,65	—							
		B	1,54	5,96	7,81	9,56	11,66							
<i>r</i>		min.	0,1	0,6	0,6	0,8	1							
<i>s</i>	nom. = max.	6,00	21,00	27,00	34,00	41								
	Product grade min.	A	5,82	20,67	26,67	33,38	—							
		B	5,70	20,16	26,16	33,00	40							
Product grade					<i>l</i> _s and <i>l</i> _g ^f									
A B														
<i>l</i>					<i>l</i> _s	<i>l</i> _g	<i>l</i> _s	<i>l</i> _g	<i>l</i> _s	<i>l</i> _g	<i>l</i> _s	<i>l</i> _g	<i>l</i> _s	<i>l</i> _g
nom.	min.	max.	min.	max.	min.	max.	min.	max.	min.	max.	min.	max.	min.	max.
20	19,58	20,42	—	—	4	7								
25	24,58	25,42	—	—	9	12								
30	29,58	30,42	—	—	14	17								
35	34,5	35,5	—	—	19	22								
40	39,5	40,5	38,75	41,25										
45	44,5	45,5	43,75	46,25										
50	49,5	50,5	48,75	51,25										
55	54,4	55,6	53,5	56,5										
60	59,4	60,6	58,5	61,5			16	26						
65	64,4	65,6	63,5	66,5			21	31						
70	69,4	70,6	68,5	71,5			26	36	15,5	28				
80	79,4	80,6	78,5	81,5			36	46	25,5	38				
90	89,3	90,7	88,25	91,75			46	56	35,5	48	27,5	40		
100	99,3	100,7	98,25	101,75			56	66	45,5	58	37,5	50	25	40
110	109,3	110,7	108,25	111,75			66	76	55,5	68	47,5	60	35	50

For sizes above the dashed, bold, stepped line, ISO 4017 is recommended.

Table 2 (continued)

Dimensions in millimetres

Thread, <i>d</i>					M3,5	M14	M18	M22	M27					
<i>p</i> ^a					0,6	2	2,5	2,5	3					
<i>b</i> ref.	b				13	34	42	50	60					
	c				19	40	48	56	66					
	d				32	53	61	69	79					
<i>c</i>	max.				0,40	0,60	0,8	0,8	0,8					
	min.				0,15	0,15	0,2	0,2	0,2					
<i>d</i> _a					max.	4,1	15,7	20,2	24,4	30,4				
<i>d</i> _s	nom. = max.				3,50	14,00	18,00	22,0	27,00					
	Product grade	A		min.	3,32	13,73	17,73	21,67	—					
		B		min.	3,20	13,57	17,57	21,48	26,48					
<i>d</i> _w	Product grade	A		min.	5,07	19,64	25,34	31,71	—					
		B		min.	4,95	19,15	24,85	31,35	38					
<i>e</i>	Product grade	A		min.	6,58	23,36	30,14	37,72	—					
		B		min.	6,44	22,78	29,56	37,29	45,2					
<i>l</i> _f					max.	1	3	3	4	6				
<i>k</i>	nom.				2,4	8,8	11,5	14	17					
	Product grade	A		max.	2,525	8,98	11,715	14,215	—					
		B		min.	2,275	8,62	11,285	13,785	—					
	Product grade	B		max.	2,6	9,09	11,85	14,35	17,35					
B		min.	2,2	8,51	11,15	13,65	13,65							
<i>k</i> _w ^e	Product grade	A		min.	1,59	6,03	7,9	9,65	—					
		B		min.	1,54	5,96	7,81	9,56	11,66					
<i>r</i>					min.	0,1	0,6	0,6	0,8	1				
<i>s</i>	nom. = max.				6,00	21,00	27,00	34,00	41					
	Product grade	A		min.	5,82	20,67	26,67	33,38	—					
		B		min.	5,70	20,16	26,16	33,00	40					
Product grade					<i>l</i> _s and <i>l</i> _g ^f									
A					B									
<i>l</i>					<i>l</i> _s and <i>l</i> _g ^f									
nom.	min.	max.	min.	max.	<i>l</i> _s min.	<i>l</i> _g max.	<i>l</i> _s min.	<i>l</i> _g max.	<i>l</i> _s min.	<i>l</i> _g max.	<i>l</i> _s min.	<i>l</i> _g max.	<i>l</i> _s min.	<i>l</i> _g max.
120	119,3	120,7	118,25	121,75			76	86	65,5	78	57,5	70	45	60
130	129,2	130,8	128	132			80	90	69,5	82	61,5	74	49	64
140	139,2	140,8	138	142			90	100	79,5	92	71,5	84	59	74
150	149,2	150,8	148	152					89,5	102	81,5	94	69	84
160	—	—	158	162					99,5	112	91,5	104	79	94
180	—	—	178	182					119,5	132	111,5	124	99	114
200	—	—	197,7	202,3							131,5	144	119	134
220	—	—	217,7	222,3							138,5	151	126	141
240	—	—	237,7	242,3									146	161
260	—	—	257,4	262,6									166	181

Table 2 (continued)

Dimensions in millimetres

Thread, <i>d</i>					M33	M39	M45	M52	M60					
<i>p</i> ^a					3,5	4	4,5	5	5,5					
<i>b</i> ref.	<i>b</i>				—	—	—	—	—					
	<i>c</i>				78	90	102	116	—					
	<i>d</i>				91	103	115	129	145					
<i>c</i>	max.				0,8	1,0	1,0	1,0	1,0					
	min.				0,2	0,3	0,3	0,3	0,3					
<i>d</i> _a					max.	36,4	42,4	48,6	56,6	67				
<i>d</i> _s	nom. = max.				33,00	39,00	45,00	52,00	60,00					
	Product grade	A			—	—	—	—	—					
		B			min.	32,38	38,38	44,38	51,26	59,26				
<i>d</i> _w	Product grade	A			—	—	—	—	—					
		B			min.	46,55	55,86	64,7	74,2	83,41				
<i>e</i>	Product grade	A			—	—	—	—	—					
		B			min.	55,37	66,44	76,95	88,25	99,21				
<i>l</i> _f					max.	6	6	8	10	12				
<i>k</i>	nom.				21	25	28	33	38					
	Product grade	A			max.	—	—	—	—					
		B			min.	—	—	—	—					
	Product grade	A			max.	21,42	25,42	28,42	33,5	38,5				
B			min.	20,58	24,58	27,58	32,5	37,5						
<i>k</i> _w ^e	Product grade	A			—	—	—	—	—					
		B			min.	14,41	17,21	19,31	22,75	26,25				
<i>r</i>					min.	1	1	1,2	1,6	2				
<i>s</i>	nom. = max.				50	60,0	70,0	80,0	90,0					
	Product grade	A			—	—	—	—	—					
		B			min.	49	58,8	68,1	78,1	87,8				
Product grade					<i>l</i> _s and <i>l</i> _g ^f									
A														
B														
<i>l</i>					<i>l</i> _s	<i>l</i> _g	<i>l</i> _s	<i>l</i> _g	<i>l</i> _s	<i>l</i> _g	<i>l</i> _s	<i>l</i> _g	<i>l</i> _s	<i>l</i> _g
nom.	min.	max.	min.	max.	min.	max.	min.	max.	min.	max.	min.	max.	min.	max.
130	129,2	130,8	128	132	34,5	52	For sizes above the solid, bold, stepped line, ISO 4017 is recommended.							
140	139,2	140,8	138	142	44,5	62								
150	149,2	150,8	148	152	54,5	72	40	60						
160	—	—	158	162	64,5	82	50	70						
180	—	—	178	182	84,5	102	70	90	55,5	78				
200	—	—	197,7	202,3	104,5	122	90	110	75,5	98	59	84		
220	—	—	217,7	222,3	111,5	129	97	117	82,5	105	66	91		
240	—	—	237,7	242,3	131,5	149	117	137	102,5	125	86	111	67,5	95
260	—	—	257,4	262,6	151,5	169	137	157	122,5	145	106	131	87,5	115
280	—	—	277,4	282,6	171,5	189	157	177	142,5	165	126	151	107,5	135
300	—	—	297,4	302,6	191,5	209	177	197	162,5	185	146	171	127,5	155
320	—	—	317,15	322,85	211,5	229	197	217	182,5	205	166	191	147,5	175
340	—	—	337,15	342,85			217	237	202,5	225	186	211	167,5	195
360	—	—	357,15	362,85			237	257	222,5	245	206	231	187,5	215
380	—	—	377,15	382,85			257	277	242,5	265	226	251	207,5	235

Table 2 (continued)

Dimensions in millimetres

Thread, <i>d</i>		M33	M39	M45	M52	M60										
<i>p</i> ^a		3,5	4	4,5	5	5,5										
<i>b</i> ref.	<i>b</i>	—	—	—	—	—										
	<i>c</i>	78	90	102	116	—										
	<i>d</i>	91	103	115	129	145										
<i>c</i>	max.	0,8	1,0	1,0	1,0	1,0										
	min.	0,2	0,3	0,3	0,3	0,3										
<i>d</i> _a	max.	36,4	42,4	48,6	56,6	67										
<i>d</i> _s	nom. = max.	33,00	39,00	45,00	52,00	60,00										
	Product grade	A min.	—	—	—	—	—									
		B min.	32,38	38,38	44,38	51,26	59,26									
<i>d</i> _w	Product grade	A min.	—	—	—	—										
		B min.	46,55	55,86	64,7	74,2	83,41									
<i>e</i>	Product grade	A min.	—	—	—	—										
		B min.	55,37	66,44	76,95	88,25	99,21									
<i>l</i> _f	max.	6	6	8	10	12										
<i>k</i>	Product grade	A max.	21	25	28	33	38									
		A min.	—	—	—	—	—									
	Product grade	B max.	21,42	25,42	28,42	33,5	38,5									
		B min.	20,58	24,58	27,58	32,5	37,5									
	<i>k</i> _w ^e	Product grade	A min.	—	—	—	—									
			B min.	14,41	17,21	19,31	22,75	26,25								
<i>r</i>	min.	1	1	1,2	1,6	2										
<i>s</i>	nom. = max.	50	60,0	70,0	80,0	90,0										
	Product grade	A min.	—	—	—	—	—									
		B min.	49	58,8	68,1	78,1	87,8									
Product grade		<i>l</i> _s and <i>l</i> _g ^f														
A		B		<i>l</i> _s	<i>l</i> _g	<i>l</i> _s	<i>l</i> _g	<i>l</i> _s	<i>l</i> _g	<i>l</i> _s	<i>l</i> _g	<i>l</i> _s	<i>l</i> _g	<i>l</i> _s	<i>l</i> _g	
nom.	min.	max.	min.	max.	min.	max.	min.	max.	min.	max.	min.	max.	min.	max.	min.	max.
400	—	—	397,15	402,85					262,5	285	246	271	227,5	255		
420	—	—	416,85	423,15					282,5	305	266	291	247,5	275		
440	—	—	436,85	443,15					302,5	325	286	311	267,5	295		
460	—	—	456,85	463,15							306	331	287,5	315		
480	—	—	476,85	483,15							326	351	307,5	335		
500	—	—	496,85	503,15									327,5	355		
NOTE Preferred lengths are defined in terms of <i>l</i> _s and <i>l</i> _g :																
— for product grade A, above the discontinuous, stepped line;																
— for product grade B, below this stepped line.																
^a <i>P</i> is the pitch of the thread.																
^b For <i>l</i> _{nom} ≤ 125 mm.																
^c For 125 mm < <i>l</i> _{nom} ≤ 200 mm.																
^d For <i>l</i> _{nom} > 200 mm.																
^e <i>k</i> _{w,min} = 0,7 <i>k</i> _{min} .																
^f <i>l</i> _{g,max} = <i>l</i> _{nom} - <i>b</i> .																
<i>l</i> _{g,min} = <i>l</i> _{g,max} - 5 <i>P</i> .																

4 Specifications and reference International Standards

See Table 3.

Table 3 — Specifications and reference International Standards

Material		Steel	Stainless steel	Non-ferrous metal
General requirements	International Standard	ISO 8992		
Thread	Tolerance class	6g		
	International Standard	ISO 724, ISO 965-1		
Mechanical property	Property class ^a	$d < 3$ mm: as agreed $3 \text{ mm} \leq d \leq 39$ mm: 5.6, 8.8, 9.8, 10.9 $d > 39$ mm: as agreed	$d \leq 24$ mm: A2-70, A4-70 $24 \text{ mm} < d \leq 39$ mm: A2-50, A4-50 $d > 39$ mm: as agreed	Materials are specified in ISO 8839.
	International Standard	$3 \text{ mm} \leq d \leq 39$ mm: ISO 898-1 $d < 3$ mm and $d > 39$ mm: as agreed	$d \leq 39$ mm: ISO 3506-1 $d > 39$ mm: as agreed	
Tolerance	Product grade	For $d \leq 24$ mm and $l \leq 10d$ or 150 mm ^b : A For $d > 24$ mm or $l > 10d$ or 150 mm ^b : B		
	International Standard	ISO 4759-1		
Finish — Coating		As processed Requirements for electroplating are specified in ISO 4042. Requirements for non-electrolytically applied zinc flake coatings are specified in ISO 10683.	As processed	As processed Requirements for electroplating are specified in ISO 4042.
Additional requirements or other finishes or coatings shall be agreed between the supplier and the purchaser.				
Surface integrity		Limits for surface discontinuities are specified in ISO 6157-1.	—	—
Acceptability		Acceptance inspection is specified in ISO 3269.		

^a Other property classes are specified in ISO 898-1 for steel and ISO 3506-1 for stainless steel, respectively.

^b Whichever is the shorter.

5 Designation

EXAMPLE A hexagon head bolt with thread M12, nominal length $l = 80$ mm and property class 8.8 is designated as follows:

Hexagon head bolt ISO 4014 - M12 × 80 - 8.8

Bibliography

- [1] ISO 888, *Bolts, screws and studs — Nominal lengths and thread lengths for general purpose bolts*
- [2] ISO 4015, *Hexagon head bolts — Product grade B — Reduced shank (shank diameter approximately equal to pitch diameter)*
- [3] ISO 4016, *Hexagon head bolts — Product grade C*
- [4] ISO 4018, *Hexagon head screws — Product grade C*
- [5] ISO 4032, *Hexagon nuts, style 1 — Product grades A and B*
- [6] ISO 4033, *Hexagon nuts, style 2 — Product grades A and B*
- [7] ISO 4034, *Hexagon nuts — Product grade C*
- [8] ISO 4035, *Hexagon thin nuts (chamfered) — Product grades A and B*
- [9] ISO 4036, *Hexagon thin nuts (unchamfered) — Product grade B*
- [10] ISO 4161, *Hexagon nuts with flange — Coarse thread*
- [11] ISO 4162, *Hexagon flange bolts — Small series*
- [12] ISO 7040, *Prevailing torque type hexagon nuts (with non-metallic insert), style 1 — Property classes 5, 8 and 10*
- [13] ISO 7041, *Prevailing torque type hexagon nuts (with non-metallic insert), style 2 — Property classes 9 and 12*
- [14] ISO 7042, *Prevailing torque type all-metal hexagon nuts, style 2 — Property classes 5, 8, 10 and 12*
- [15] ISO 7043, *Prevailing torque type hexagon nuts with flange (with non-metallic insert) — Product grades A and B*
- [16] ISO 7044, *Prevailing torque type all-metal hexagon nuts with flange — Product grades A and B*
- [17] ISO 7719, *Prevailing torque type all-metal hexagon nuts, style 1 — Property classes 5, 8 and 10*
- [18] ISO 7720, *Prevailing torque type all-metal hexagon nuts, style 2 — Property class 9*
- [19] ISO 8673, *Hexagon nuts, style 1, with metric fine pitch thread — Product grades A and B*
- [20] ISO 8674, *Hexagon nuts, style 2, with metric fine pitch thread — Product grades A and B*
- [21] ISO 8675, *Hexagon thin nuts (chamfered) with metric fine pitch thread — Product grades A and B*
- [22] ISO 8676, *Hexagon head screws with metric fine pitch thread — Product grades A and B*
- [23] ISO 8765, *Hexagon head bolts with metric fine pitch thread — Product grades A and B*
- [24] ISO 10511, *Prevailing torque type hexagon thin nuts (with non-metallic insert)*
- [25] ISO 10512, *Prevailing torque type hexagon nuts (with non-metallic insert), style 1, with metric fine pitch thread — Property classes 6, 8 and 10*

ISO 4014:2011(E)

- [26] ISO 10513, *Prevailing torque type all-metal hexagon nuts, style 2, with metric fine pitch thread — Property classes 8, 10 and 12*
- [27] ISO 10663, *Hexagon nuts with flange — Fine pitch thread*
- [28] ISO 12125, *Prevailing torque type hexagon nuts with flange (with non-metallic insert) with metric fine pitch thread — Product grades A and B*
- [29] ISO 12126, *Prevailing torque type all-metal hexagon nuts with flange with metric fine pitch thread — Product grades A and B*
- [30] ISO 15071, *Hexagon bolts with flange — Small series — Product grade A*
- [31] ISO 15072, *Hexagon bolts with flange with metric fine pitch thread — Small series — Product grade A*
- [32] ISO 21670, *Hexagon weld nuts with flange*

© 2015 International Organization for Standardization

ICS 21.060.10

Price based on 14 pages